

# WELLINGTON 2011



**Venue:**  
TSB Arena

**Dates:**  
18 & 19 June 2011

**Times:**  
Saturday/Sunday 10am – 5pm

Exhibitor Build-Up  
Friday 17 June 12 noon – 8pm

\*Please note new build up time

Exhibitor Breakdown  
Sunday 19 June 5.30pm – 8pm  
Monday 20 June 8am – 12noon

Stand Construction  
2.3 metre high velcro receptive panels - black colour.

**Serviced Standard Module \$2520 + gst**  
**Premium Serviced Corner Module \$2645 + gst**  
Includes carpet, panels, lighting (2 x spotlights),  
1 x 10amp power point. 3.6m x 3.0m (10.8m<sup>2</sup>)

**Premium Serviced Peninsula Module \$5290 + gst**  
Includes carpet, panels, lighting (4 x spotlights),  
2 x 10amp power points. 6m x 3.6m (21.6m<sup>2</sup>)

**Serviced Boutique Module \$1995 + gst**  
**Premium Serviced Corner Boutique Module \$2095 + gst**  
Includes carpet, panels, lighting (2 x spotlights),  
1 x 10amp power point. 3.6m x 1.8m (6.8m<sup>2</sup>)

**Serviced Kiosk Module (in entry corridor) \$1310 + gst**  
**Premium Serviced Corner Kiosk Module \$1375 + gst**  
Includes carpet, panels, lighting (1 x spotlight),  
1 x 10amp power point. 3m x 1.2m (3.6m<sup>2</sup>)  
(Suitable for one product companies only)

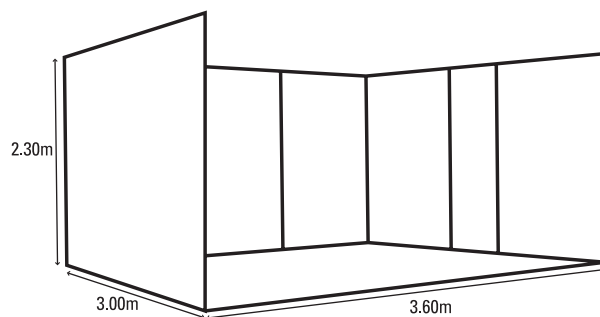
**Unserviced Space \$200 + gst per square metre**  
Includes carpeted floor space only. For companies  
booking space for 'design and build' stands with a  
minimum 43.2m<sup>2</sup> area.  
(Plus 5% loading for unserviced corner locations).

**Please note:**

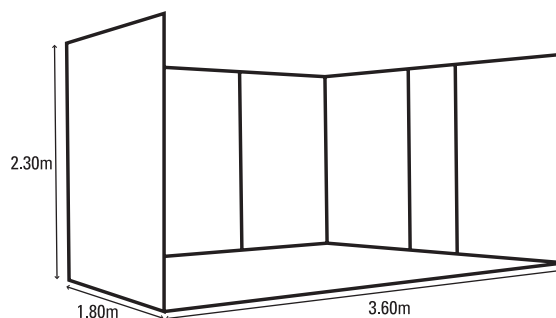
1. Panel colour changes can be made at a cost to the exhibitor through Peek Display.
2. There is no fascia structure or company nameplate included in the stand packages, however these can be purchased directly through Peek Display.

Floorplan on reverse. Subject to change.

## Standard Module



## Boutique Module



## Kiosk Module

