

# WELLINGTON 2010



**Venue:**  
TSB Arena

**Dates:**  
19 & 20 June 2010

**Times:**  
Saturday/Sunday 10am – 5pm

Exhibitor Build-Up  
Friday 18 June 12 noon – 8pm  
\*Please note new build up time

Exhibitor Breakdown  
Sunday 20 June 5.30pm – 8pm  
Monday 21 June 8am – 12noon

Stand Construction  
2.3 metre high velcro receptive panels - black colour.

Serviced Standard Module  
Includes carpet, panels, lighting (2 x spotlights),  
1 x 10amp power point.  
3.6m x 3.0m (10.8m<sup>2</sup>) **\$2520 + GST**

Serviced Boutique Module  
Includes carpet, panels, lighting (2 x spotlights),  
1 x 10amp power point.  
3.6m x 1.8m (6.48m<sup>2</sup>) **\$1995 + GST**

Serviced Kiosk Module - (in entry corridor)  
Includes carpet, panels, lighting (2 x spotlights),  
1 x 10amp power point.  
(Suitable for one product companies only)  
3m x 1.2m (3.6m<sup>2</sup>) **\$1310 + GST**

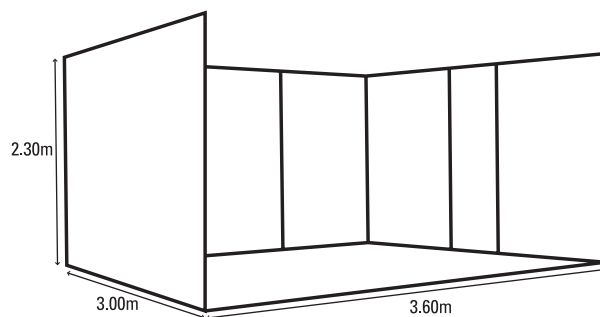
Unserviced Space  
Includes bare floor space only. For companies  
booking space for 'design and build' stands with a  
minimum 43.2m<sup>2</sup> area. **\$200 + GST** per square metre.

**Please note:**

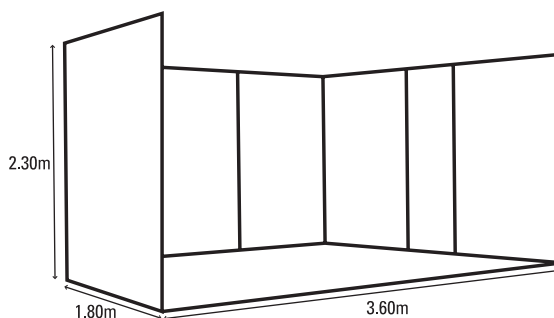
1. Panel colour changes can be made at a cost to the exhibitor through Peek Display.
2. There is no fascia structure or company nameplate included in the stand packages, however these can be purchased directly through Peek Display.

Floorplan on reverse. Subject to change.

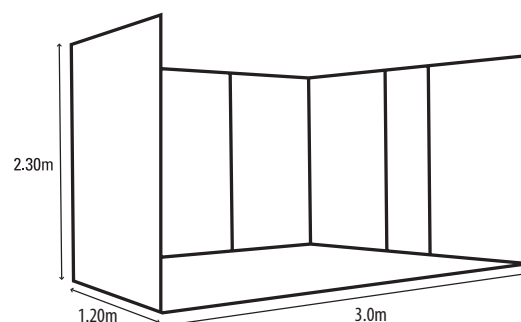
### Standard Module

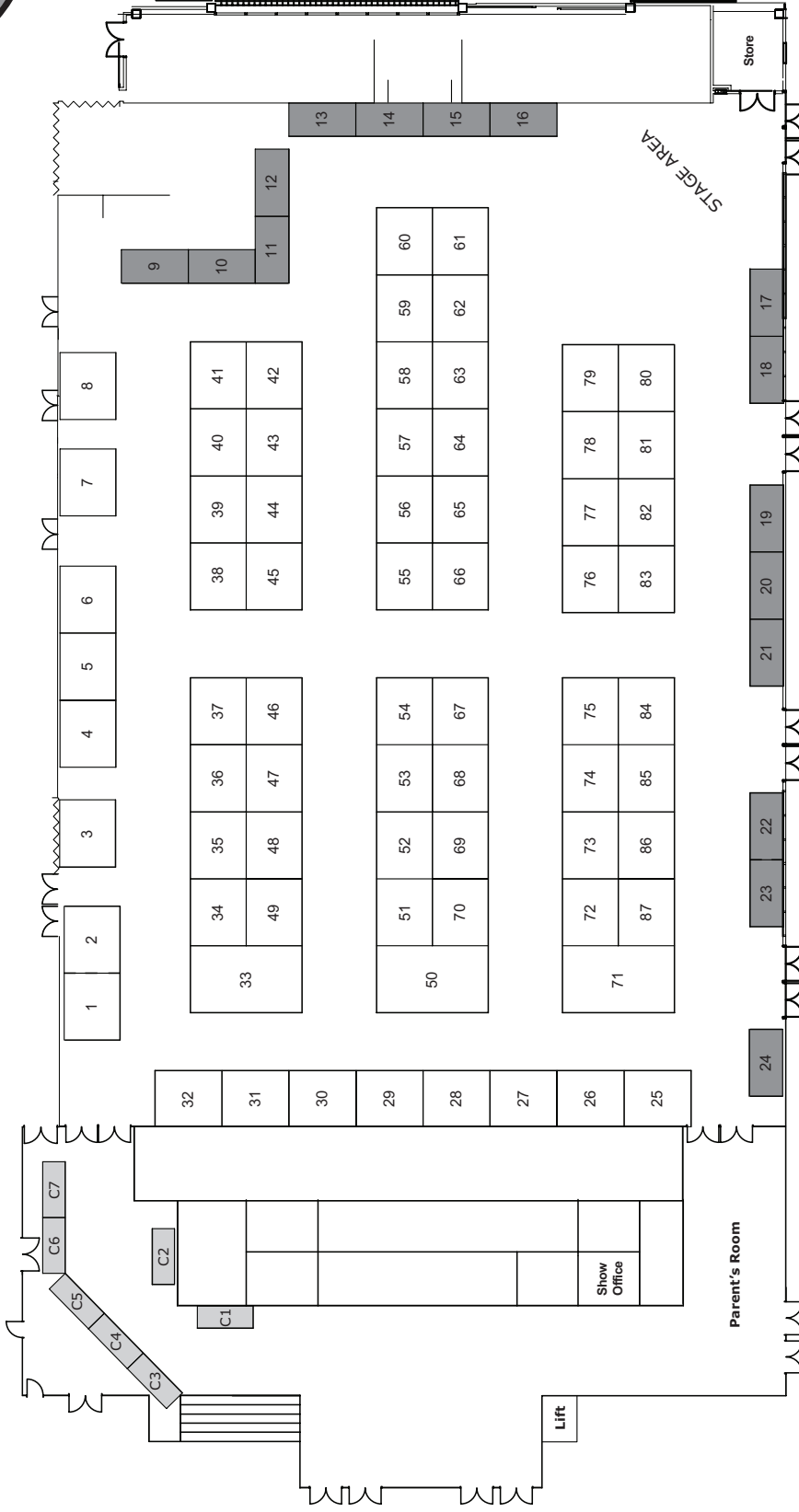


### Boutique Module



### Kiosk Module





**Key**

- Serviced Standard Module 3.6m x 3.0m
- Serviced Boutique Module 3.6m x 1.8m
- Serviced Kiosk Module 3.0m x 1.2m



Floorplan subject to change at organiser's discretion.

# Wellington

## 19 & 20 June

### TSB Arena

#### Exhibition Plan 2010